

ELKAY® SPECIFICATIONS

Gourmet™ Single Bowl Sink Models LFR and LFRQ Series LFRAD — A.D.A. Compliant Sinks

GENERAL

Highest quality sink formed of #18 gauge, type 304 (18-8) nickel bearing stainless steel. Top mount.

DESIGN FEATURES

Bowl Depth: See chart below.

Coved Corners: 1-3/4" vertical and horizontal radius.

Bowl Recess: 3/16" below outside edge of sink.

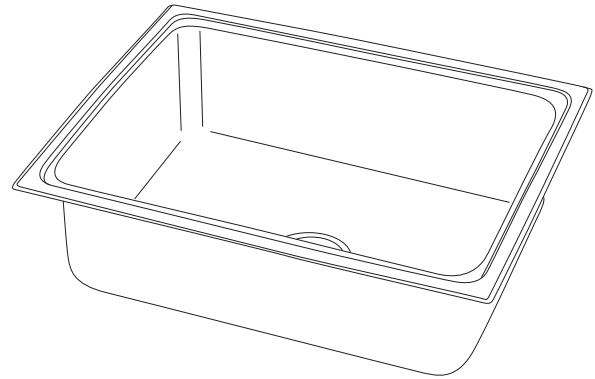
Finish: Exposed surfaces are hand blended to a lustrous satin finish.

Underside: Fully undercoated to dampen sound and prevent condensation.

OTHER

Drain Opening: 3-1/2".

These sinks comply with ASME 112.19.3.








Model LFR(Q)2519



This sink is listed by the International Association of Plumbing and Mechanical Officials as meeting the requirements of the Uniform Plumbing Code.

SINK DIMENSIONS (INCHES)*

U-Channel Model Number	Quick-Clip® Model Number	Overall		Inside Bowl			Cutout in Countertop (1 1/2" Radius Corners)		Minimum Cabinet Size	3 1/2" Drain Opening
		L	W	L	W	D	L	W		
		A	B	C	D	E	L	W		
LFR1313	LFRQ1313	13	13	10	10	7 5/8	12 3/8	12 3/8	18	Centered
LFR1515	LFRQ1515	15	15	12	12	7 5/8	14 3/8	14 3/8	18	Centered
LFR1717	—	17	17 1/2	14	14	7 5/8	16 3/8	16 7/8	21	Centered
LFR1915	LFRQ1915	19	15	16	11 1/2	7 5/8	18 3/8	14 3/8	24	Centered
LFR1918	LFRQ1918	19	18	16	13 1/2	7 5/8	18 3/8	17 3/8	24	Centered
LFR2519	LFRQ2519	25	19 1/2	21	15 3/4	7 5/8	24 3/8	18 7/8	30	Centered
 LFRAD151555	—	15	15	12	12	5 1/2	14 3/8	14 3/8	18	Centered
 LFRAD191860	—	19	18	16	13 1/2	6	18 3/8	17 3/8	24	Centered
 LFRAD251955	—	25	19 1/2	21	15 3/4	5 1/2	24 3/8	18 7/8	30	Off-centered
 LFRAD251960	—	25	19 1/2	21	15 3/4	6	24 3/8	18 7/8	30	Off-centered
 LFRAD251965	—	25	19 1/2	21	15 3/4	6 1/2	24 3/8	18 7/8	30	Off-centered

*Length is left to right. Width is front to back.

SEE OTHER SIDE FOR PRODUCT DIMENSIONS.

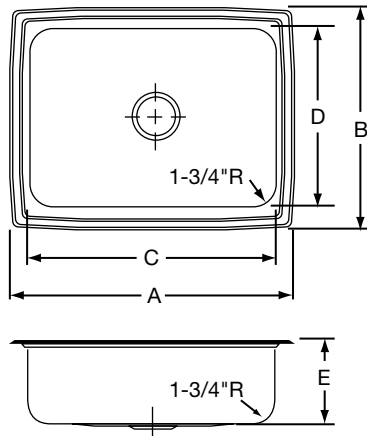
THIS PRODUCT, AS CONSTRUCTED IS SUBJECT TO INTERPRETATION OF A.D.A. REQUIREMENTS. THE UNOBSTRUCTED KNEE SPACE REQUIRED TO SATISFY A.D.A. STANDARDS MAY NOT BE DESIRABLE.

ALL DIMENSIONS IN INCHES, TO CONVERT TO MILLIMETERS MULTIPLY BY 25.4.

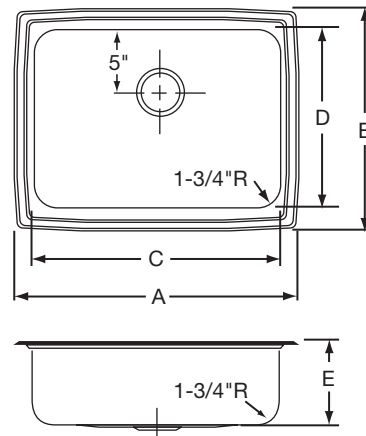
In keeping with our policy of continuing product improvement, Elkay reserves the right to change product specifications without notice.

This specification describes an Elkay product with design, quality and functional benefits to the user. When making a comparison of other producers' offerings, be certain these features are not overlooked.

THIS PRODUCT, AS CONSTRUCTED IS SUBJECT TO INTERPRETATION OF A.D.A. REQUIREMENTS.
THE UNOBSTRUCTED KNEE SPACE REQUIRED TO SATISFY A.D.A. STANDARDS MAY NOT BE DESIRABLE.

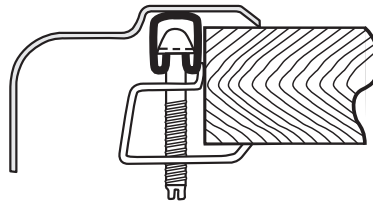


Model LFR2519 Illustrated



Model LFRAD2519 Illustrated

U-Channel Type Mounting System



Quick-Clip® Mounting System

